


## PRODUCT SHEET

### Description:

Plastic Cover Cap F/Maxi Luna, Beige, ø40mm

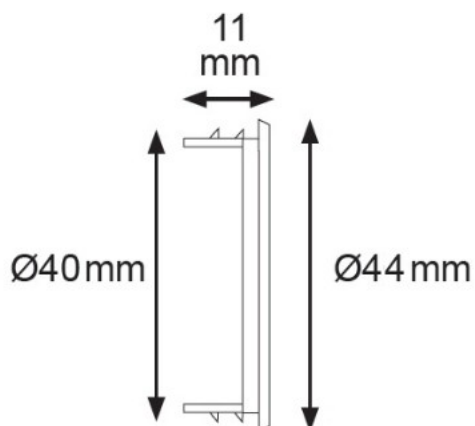
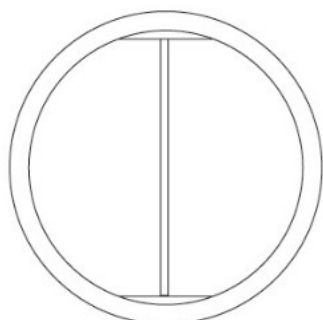
### Item number:

11.04.248-0

Units	Box	Carton	HS Code	Barcode
Pcs.	1	2500	3926909790	 5704866013413



### SIDE GRIP



### SISO A/S

Mileparken 11  
DK-2740 Skovlunde  
Denmark  
VAT: DK 24786013

Phone +45 45 830 900

[www.siso.dk](http://www.siso.dk)  
[siso@siso.dk](mailto:siso@siso.dk)

Danske Bank  
Nytorv Branch  
Copenhagen  
SWIFT: DABADKKK

Account no.  
4180 3112 112936  
IBAN Account  
DK7230003112112936